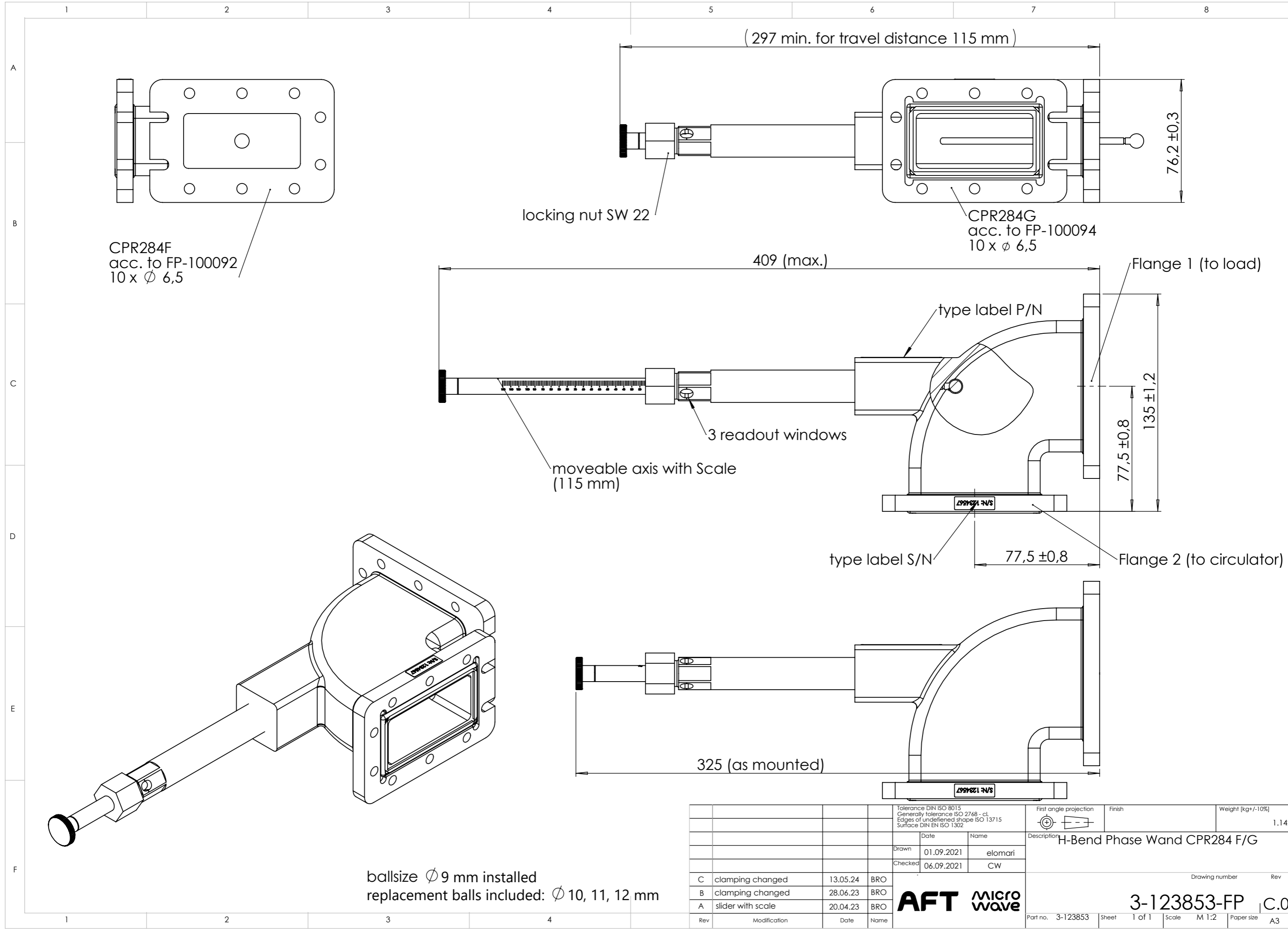


Urheberrechtsschutzvermerk DIN 34
 Offenders are liable of the payment of damages. All rights are reserved in the event of the grant of a patent or the registration of a utility model or design.
 Copying this document and giving it to others and the use or communication of the contents here of, are forbidden without express authority.

Zuletzt gespeichert am: Dienstag, 14. Mai 2024 10:50:21
 Zuletzt gespeichert von: alpha-ProccadALogin
 Zeichnungs Druckstatus: 00003 - Freigegeben



Tolerance DIN ISO 8015		First angle projection		Finish		Weight [kg+/-10%]	
Generally tolerance ISO 2768 - cL		Description		H-Bend Phase Wand CPR284 F/G		1.142	
Edges of undiefened shape ISO 13715		Date		Name			
Surface DIN EN ISO 1302		01.09.2021		elomari			
		Checked		CW			
		06.09.2021					
C clamping changed		13.05.24		BRO		Drawing number	
B clamping changed		28.06.23		BRO		Rev	
A slider with scale		20.04.23		BRO		3-123853-FP	
Rev		Modification		Date		Name	
						C.0	
						Part no. 3-123853 Sheet 1 of 1 Scale M 1:2 Paper size A3	

