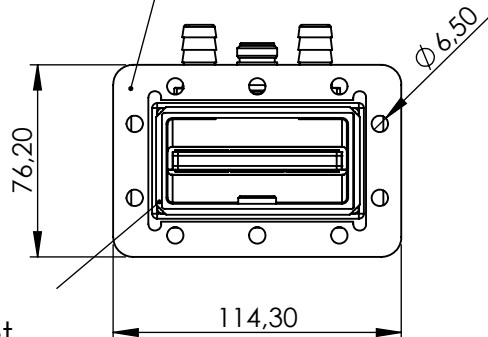
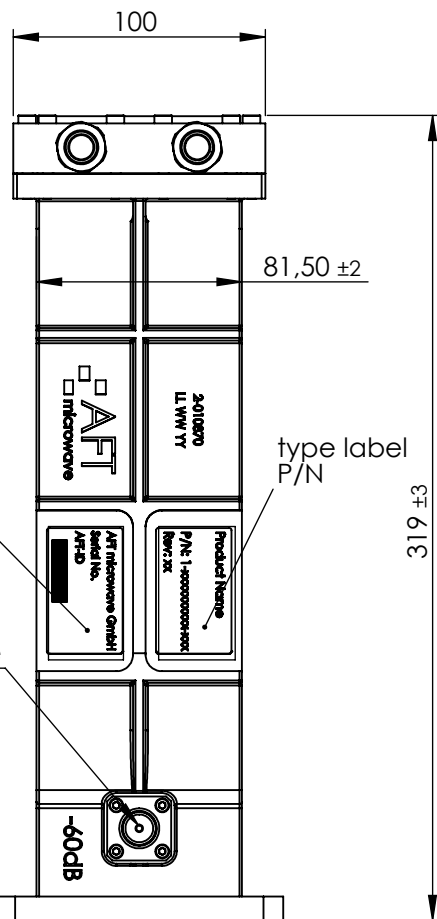
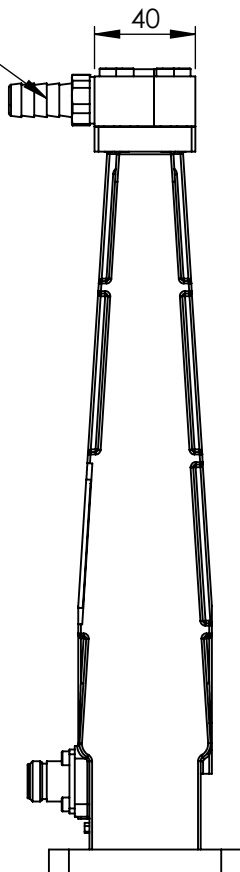


flange hole pattern acc. to CPR284 grooved for Metallic Gasket, details see FP-100094



Note:  
 metallic gasket WR284 included  
 Part.No: 1-0002998000-000

Water fittings according to specification



			Tolerance DIN ISO 8015 Generally tolerance ISO 2768 - cL Edges of undeniend shape ISO 13715 Surface DIN EN ISO 1302		First angle projection	Finish	Weight [kg +/-10%]				
			Date	Name	Description		3.890				
			Drawn	10.06.2015	Ferrite Load CPR284G						
			Checked								
C	formal updated	10.11.22	ELO					Drawing number	Rev		
B	formal updated	21.11.2017	Hei					<b>FP-10073544</b>		C.0	
A	internal	08.09.2016	Hei								
Rev	Modification	Date	Name	Part no.	3-004219	Sheet	1 of 1	Scale	M 1:3	Paper size	A4