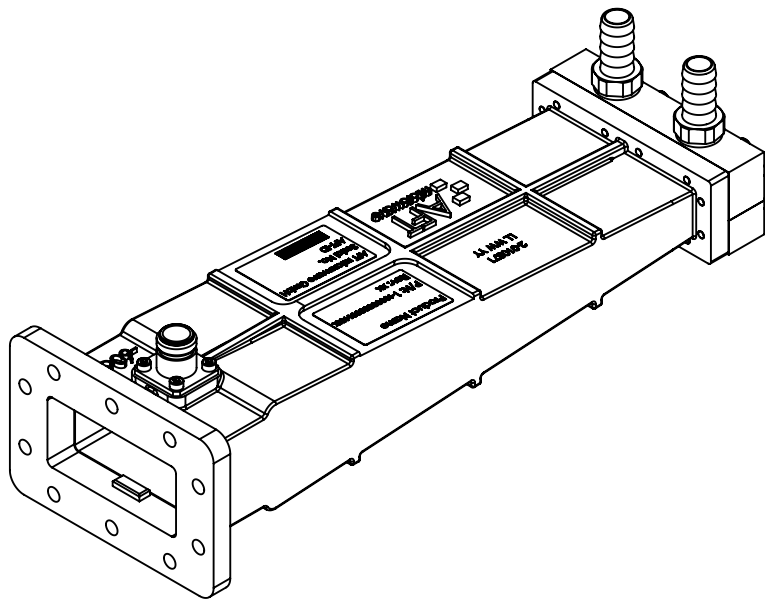
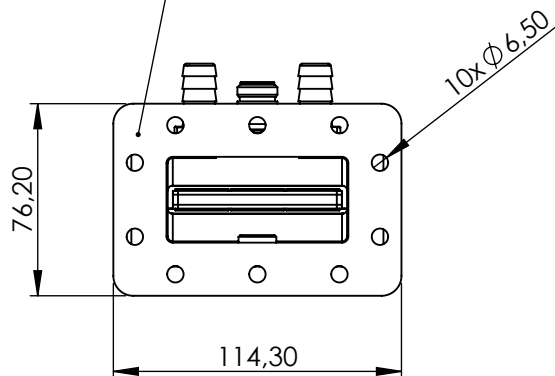


Urheberrechtlich geschützt am: Donnerstag, 11. Januar 2018 10:18:33
 Offenders are liable of the payment of damages. All rights are reserved in the event of the grant of a patent or the registration of a utility model or design.
 Copying this document and giving it to others and the use or communication of the contents there of, are forbidden without express authority.

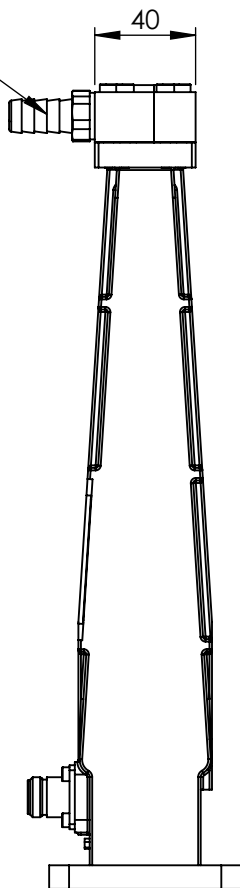
Zuletzt gespeichert am: Donnerstag, 11. Januar 2018 10:18:33
 Zuletzt gespeichert von: PLMADMIN
 Zeichnungs-Druckstatus: 00003 - Freigegeben



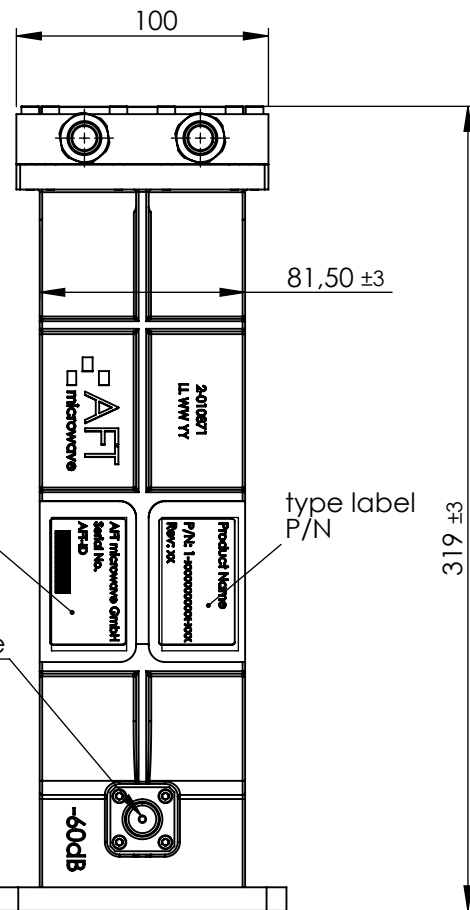
flange hole pattern acc. to CPR284 details see FP-100092



Water fittings according to specification



nondirectional E-Probe N-connector female



				Tolerance DIN ISO 8015 Generally tolerance ISO 2768 - vL Edges of undefiend shape ISO 13715 Surface DIN EN ISO 1302		First angle projection		Finish		Weight 2,5kg ± 10%		
				Date	Name	Description Ferrite Load CPR284F						
				Drawn	10.06.2015							Heisen
				Checked								
						Drawing number		Rev				
						FP-10073548		A				
A	internal	08.09.2016	Hei	Part no.		3-004221	Sheet	1 of 1	Scale	M 1:3	Paper size	A4
Rev	Modification	Date	Name									