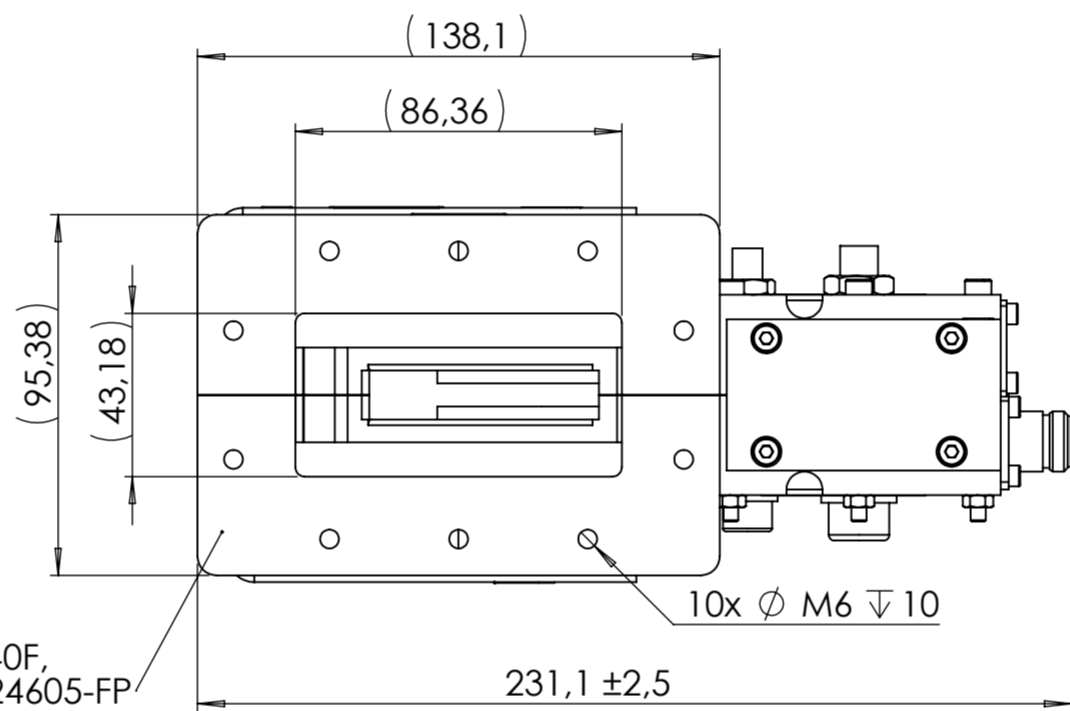
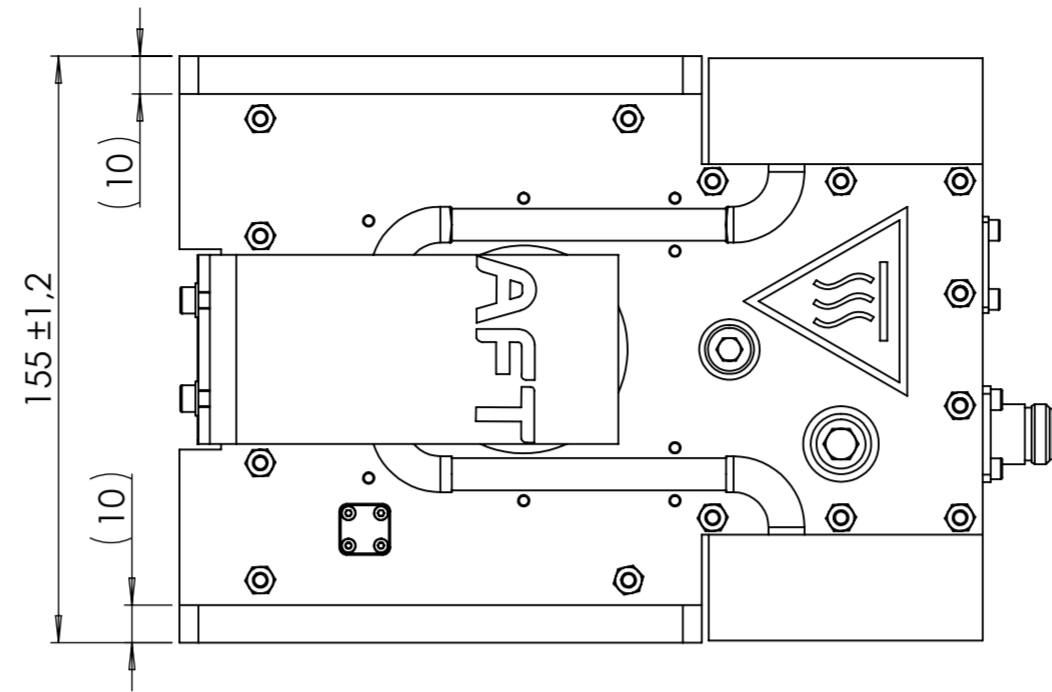
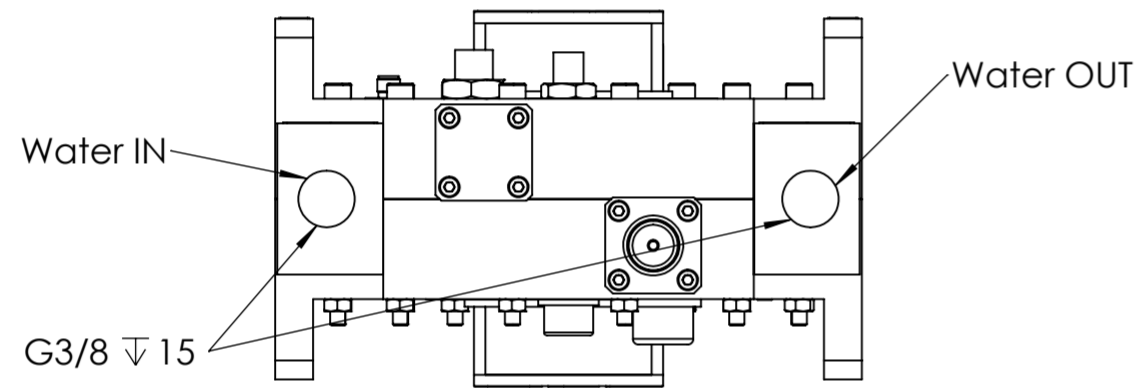
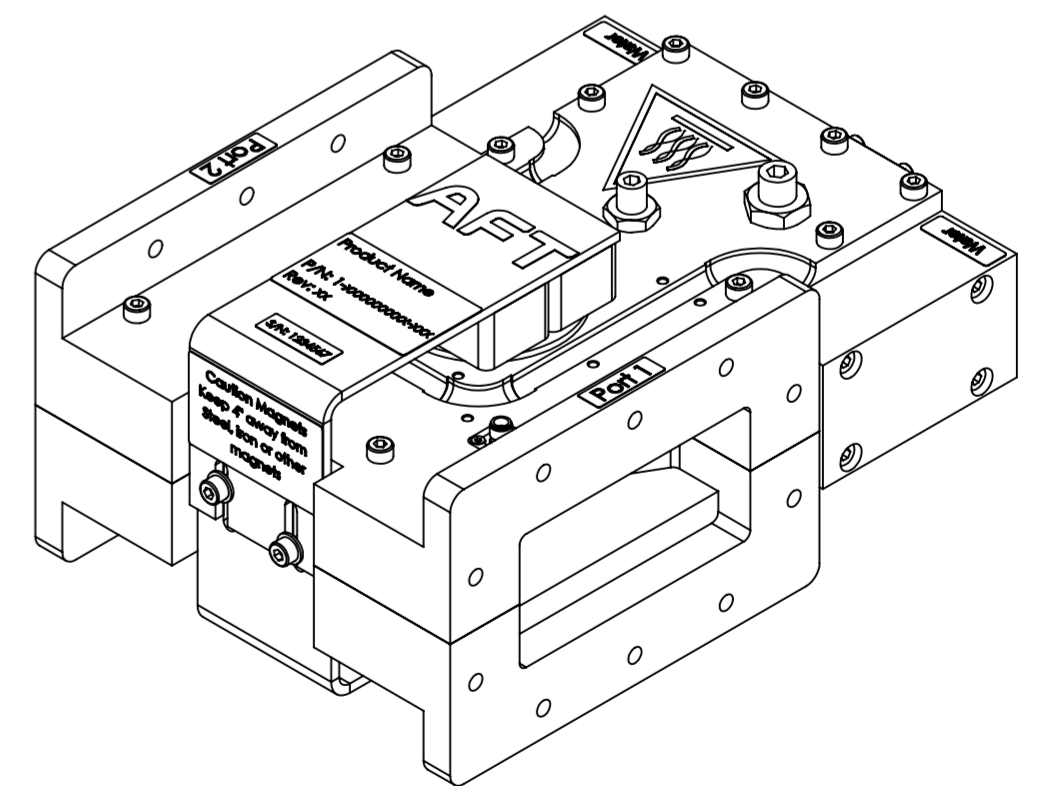
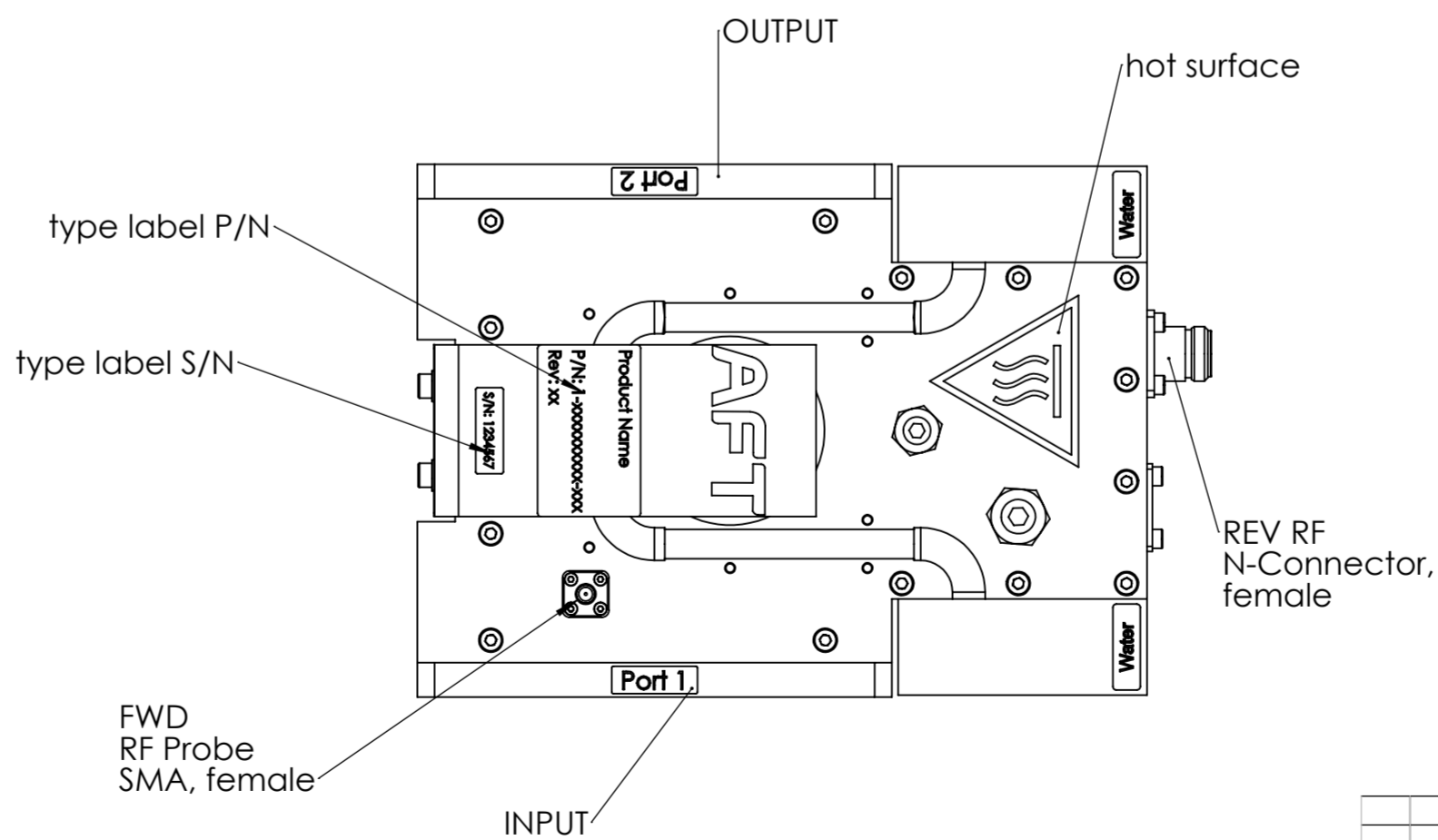
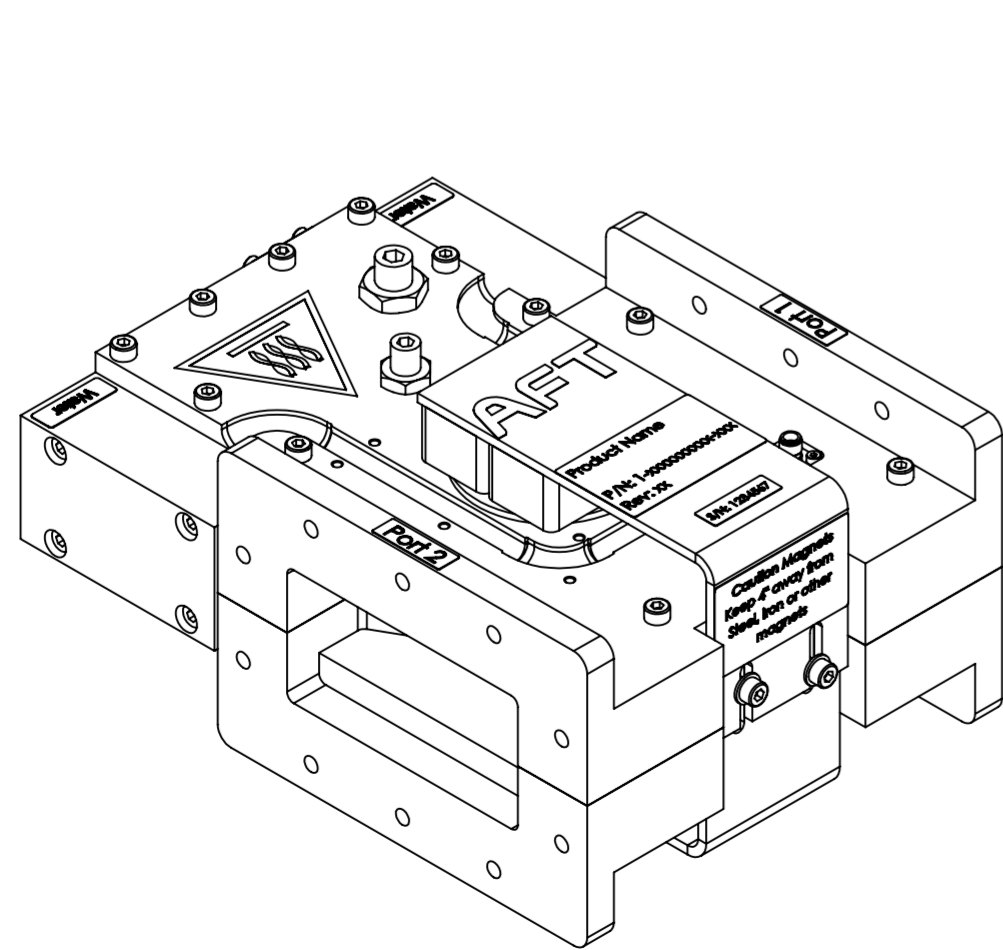
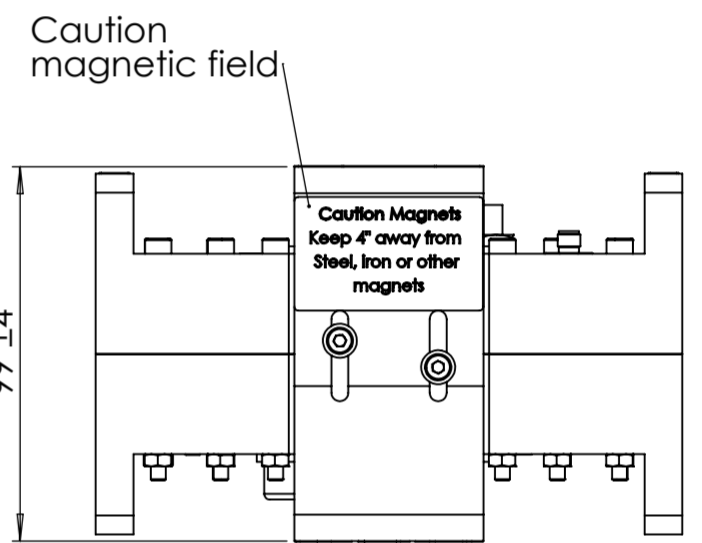


Urheberrechtlich geschützt. Inhaber des Patents oder der Registrierung eines Modells oder Designs.
 Offenders are liable for the payment of damages. All rights reserved in the event of the grant of a patent or the registration of a utility model or design.
 Copying this document and giving it to others and the use or communication of the contents here of, are forbidden without express authority.

Zuletzt gespeichert am: Mittwoch, 10. Januar 2024 09:22:34
 Zuletzt gespeichert von: broos
 Zeichnungs-Druckstatus: 0003 - Freigegeben



2x flange similar to CPR340F,
hole pattern acc. to 2-124605-FP



Tolerance DIN ISO 8015 Generally tolerance ISO 2768 - cL Edges of undelimited shape ISO 13715 Surface DIN EN ISO 1302		First angle projection	Finish	Weight [kg +/-10%]
Date	Name	Description		4,973
Drawn	14.11.2023	Isolator 2450MHz 3kW CPR340		
Checked	17.11.2023			
AFT micro wave		Drawing number		Rev
		3-125979-FP		-.0
Rev	Modification	Date	Name	Part no. 3-125979 Sheet 1 of 1 Scale M 1:5 Paper size A2