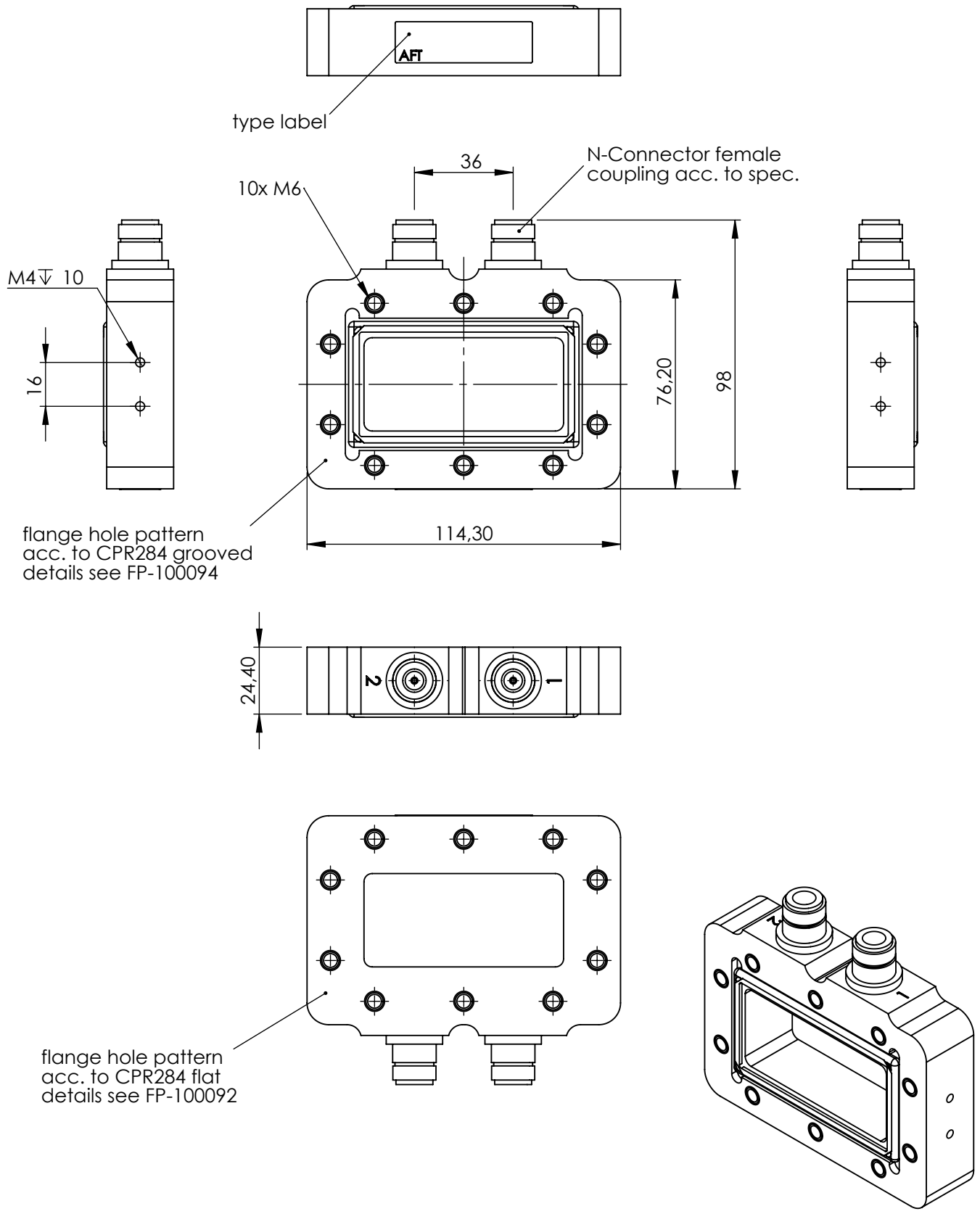


Urheberrechtlich geschützt am: Montag, 8. Februar 2016 10:53:55  
 Offenders are liable of the payment of damages. All rights are reserved in the event of the grant of a patent or the registration of a utility model or design.  
 Copying this document and giving it to others and the use or communication of the contents thereof, are forbidden without express authority.

Zuletzt gespeichert am: Montag, 8. Februar 2016 10:53:55  
 Zuletzt gespeichert von: plmadmin  
 Zeichnungs-Druckstatus: 00003 - Freigegeben



|     |              |      |      |  |                   |   |        |        |       |                       |    |
|-----|--------------|------|------|--|-------------------|---|--------|--------|-------|-----------------------|----|
|     |              |      |      | Tolerance DIN ISO 8015<br>Generally tolerance ISO 2768 - vL<br>Edges of undeniend shape ISO 13715<br>Surface DIN EN ISO 1302 |                   | First angle projection<br>                    |        | Finish |       | Weight<br>0,5kg ± 10% |    |
|     |              |      |      | Date   | Name              | Description<br>Flange E-Probe -50dB CPR284F/G |        |        |       |                       |    |
|     |              |      |      | Drawn  | 17.03.2015 Heisen |   |        |        |       |                       |    |
|     |              |      |      | Checked  |                   |   |        |        |       |                       |    |
|     |              |      |      |  |                   | Drawing number                                |        | Rev    |       |                       |    |
|     |              |      |      |  |                   | FP-10073089                                   |        |        |       |                       |    |
| Rev | Modification | Date | Name | Part no.   | 3-004073          | Sheet   | 1 of 1 | Scale  | M 1:2 | Paper size            | A4 |