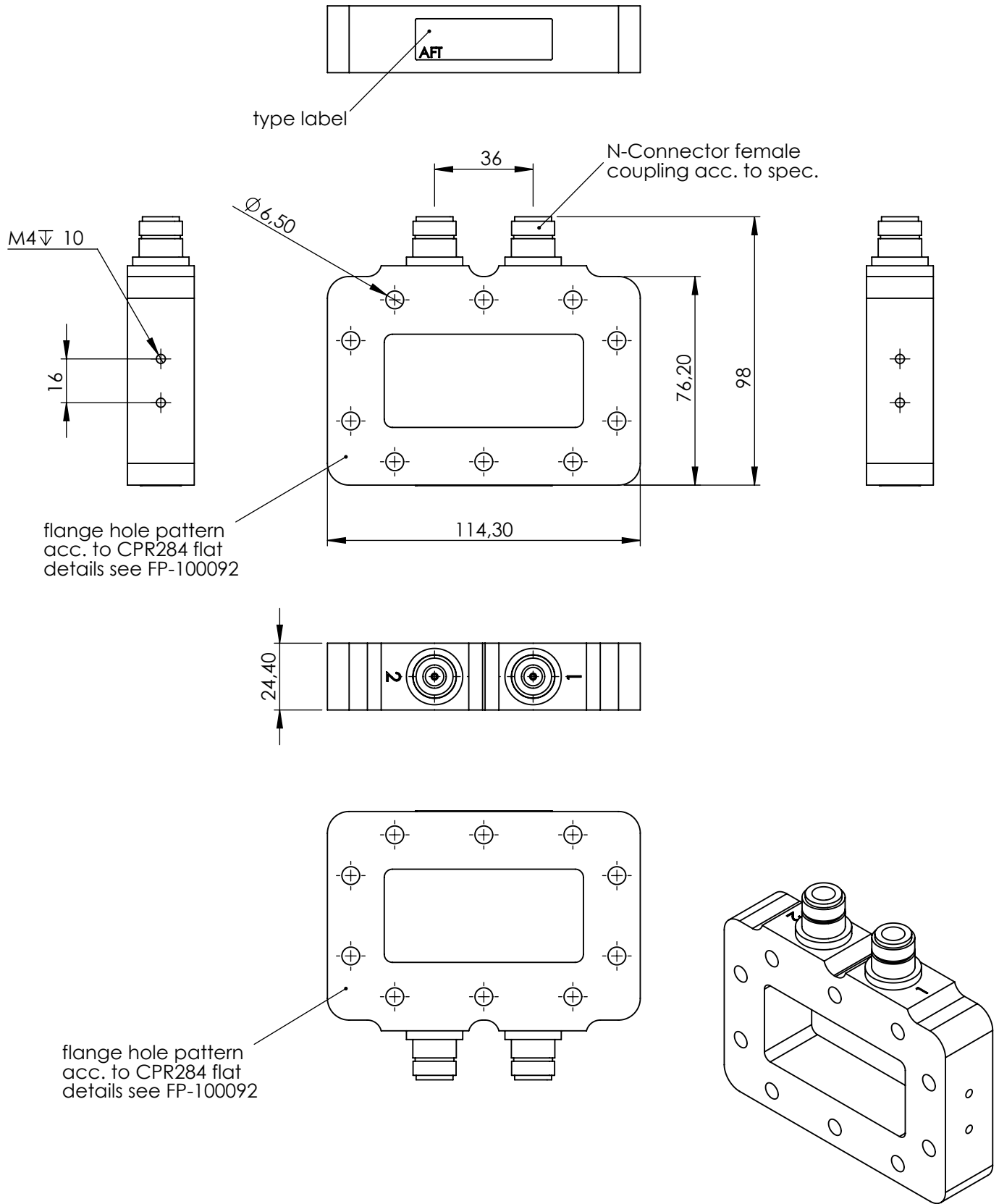


Urheberrechtlich geschützt am: Montag, 8. Februar 2016 11:11:37  
 Offenders are liable of the payment of damages. All rights are reserved in the event of the grant of a patent or the registration of a utility model or design.  
 Copying this document and giving it to others and the use or communication of the contents thereof, are forbidden without express authority.

Zuletzt gespeichert am: Montag, 8. Februar 2016 11:11:37  
 Zuletzt gespeichert von: plmadmin  
 Zeichnungs-Druckstatus: 00003 - Freigegeben



				Tolerance DIN ISO 8015 Generally tolerance ISO 2768 - vL Edges of undefined shape ISO 13715 Surface DIN EN ISO 1302		First angle projection 		Finish		Weight 0,5kg ± 10%	
				Date	Name	Description Flange E-Probe -50dB CPR284F/F					
				Drawn	05.02.2016 Heisen						
				Checked							
						Drawing number		Rev			
						FP-10074157					
Rev	Modification	Date	Name	Part no.	3-004551	Sheet	1 of 1	Scale	M 1:2	Paper size	A4