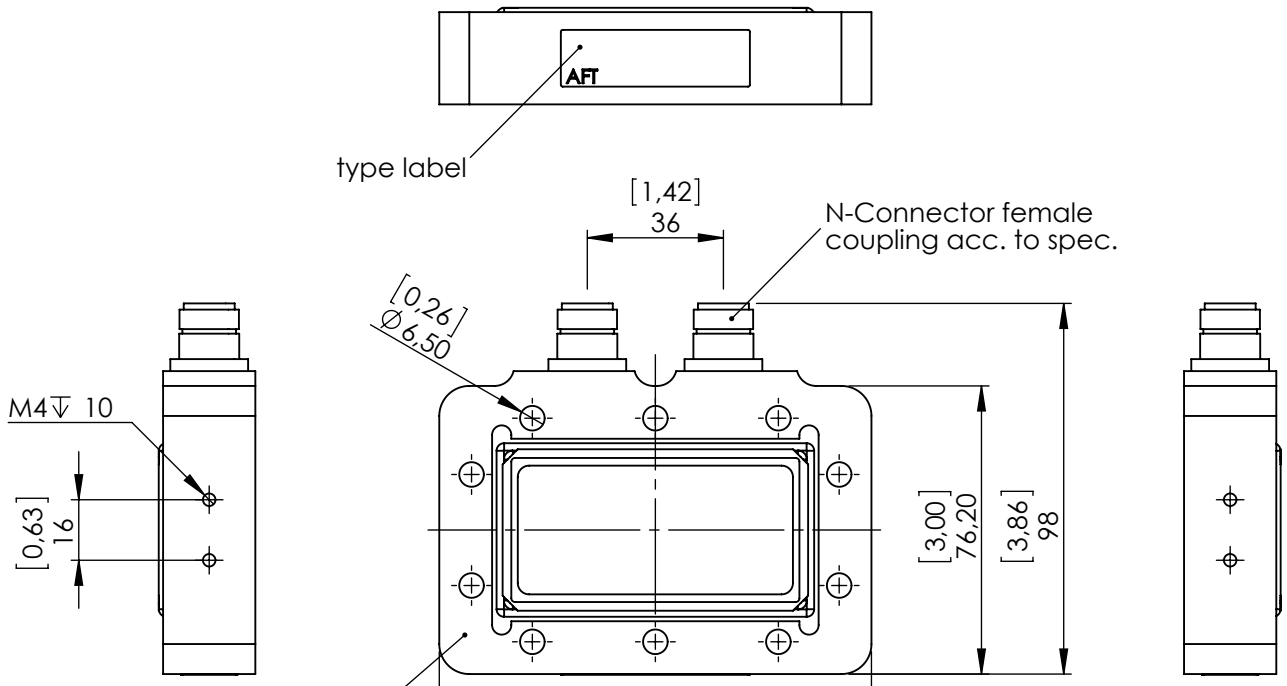
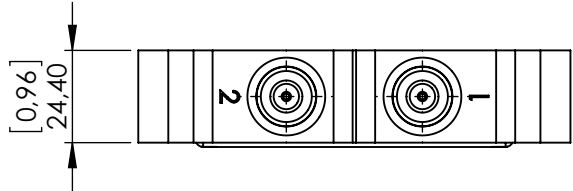


Urheberrechtsschutzmerk DIN 34
 Offenders are liable of the payment of damages. All rights are reserved in the event of the grant of a patent or the registration of a utility model or design.
 Copying this document and giving it to others and the use or communication of the contents thereof, are forbidden without express authority.

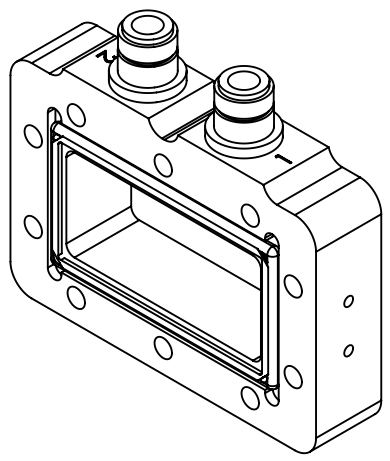
Zuletzt gespeichert am: Montag, 8. Februar 2016 11:04:03
 Zuletzt gespeichert von: plmadmin
 Zeichnungs-Druckstatus: 00003 - Freigegeben



flange hole pattern acc. to CPR284 grooved details see FP-100094



flange hole pattern acc. to CPR284 flat details see FP-100092



				Tolerance DIN ISO 8015 Generally tolerance ISO 2768 - vL Edges of undeniend shape ISO 13715 Surface DIN EN ISO 1302		First angle projection 		Finish		Weight 0,5kg \pm 10%		
				Date	Name	Description Flange E-Probe -50dB CPR284F/G						
				Drawn	17.03.2015							Heisen
				Checked								
						Drawing number		Rev				
						FP-10073091						
Rev	Modification	Date	Name	Part no.	3-004074	Sheet	1 of 1	Scale	M 1:2	Paper size	A4	