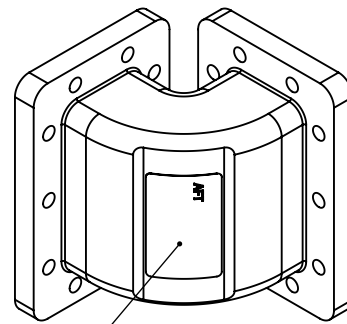
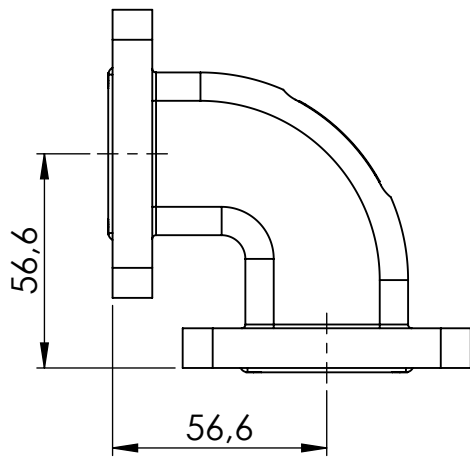
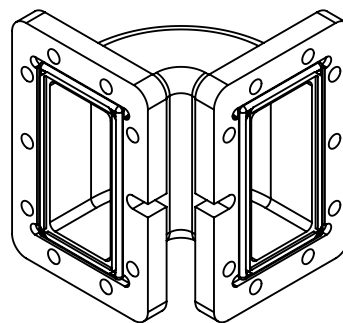


both flange hole pattern
 acc. to CPR284 grooved
 for metallic gasket
 details see FP-100094



type label



2x Metallic Gasket WR284 included

				Tolerance DIN ISO 8015 Generally tolerance ISO 2768 - vL Edges of undeniend shape ISO 13715 Surface DIN EN ISO 1302		First angle projection 		Finish		Weight 0,55kg ± 10%		
				Date	Name	Description E-Bend CPR284G-G						
				Drawn	05.02.2014							Mayr
				Checked								
						Drawing number		Rev				
						FP-1006716		A				
Rev	PN, Packing	02.02.2016	Hei	Part no.	3-004510	Sheet	1 of 1	Scale	M 1:2	Paper size	A4	