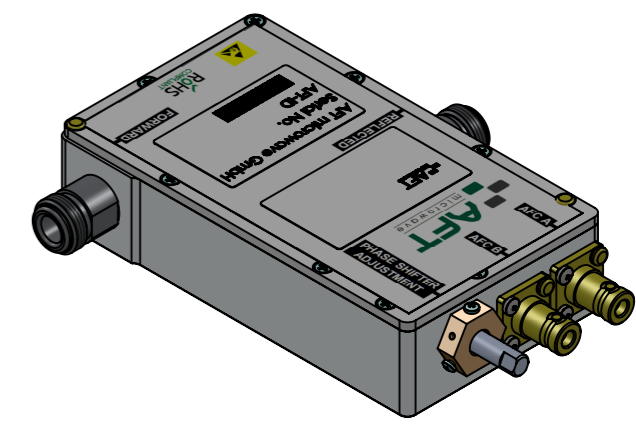
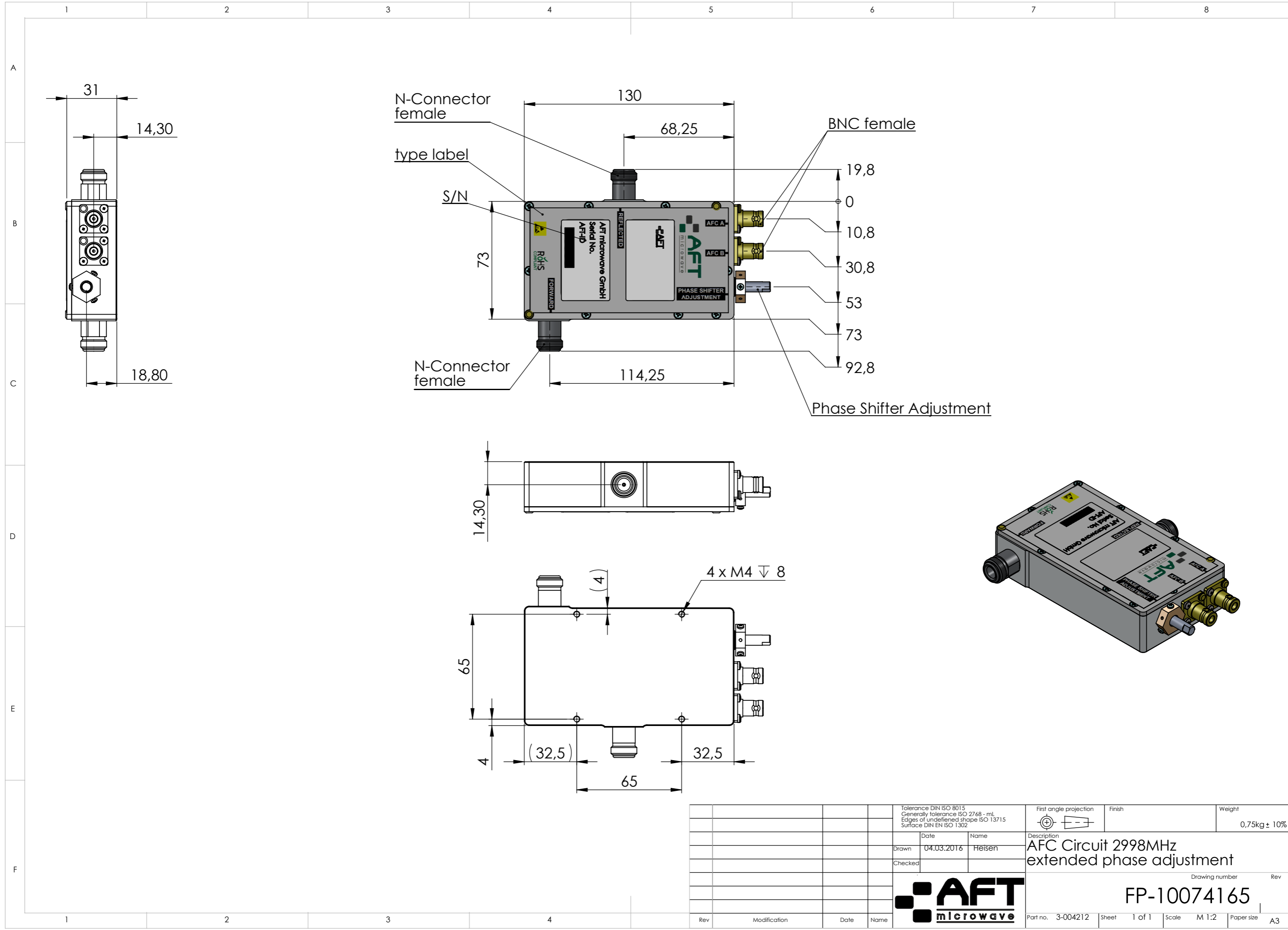


Urheberrechtlich geschützt am: Montag, 7. März 2016 14:23:13
 Offenders are liable of the payment of damages. All rights are reserved in the event of the grant of a patent or the registration of a utility model or design.
 Copying this document and giving it to others and the use or communication of the contents there of, are forbidden without express authority.

Zuletzt gespeichert am: Montag, 7. März 2016 14:23:13
 Zuletzt gespeichert von: plmadmin
 Zeichnungs Druckstatus: 00003 - Freigegeben



Tolerance DIN ISO 8015 Generally tolerance ISO 2768 - mL Edges of undefined shape ISO 13715 Surface DIN EN ISO 1302		First angle projection	Finish	Weight
Date		Name		Description AFC Circuit 2998MHz extended phase adjustment
Drawn	04.03.2016	Heisen		
Checked				
Rev		Modification		Date
Name		Date		Name
Part no.		3-004212	Sheet	1 of 1
Scale		M 1:2	Paper size	
Drawing number		Rev		
FP-10074165				A3

