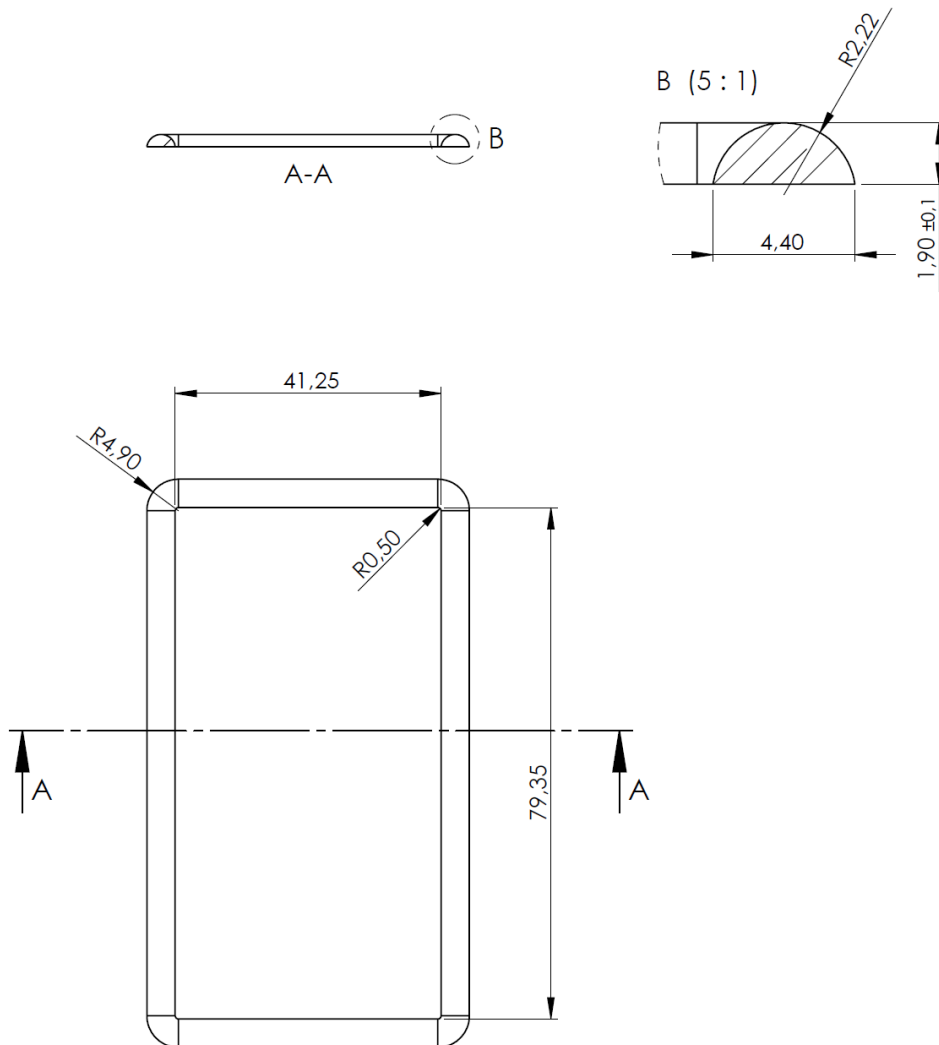


Parameter	Value
Product Type	Waveguide gasket
Configuration	Rubber seal
RF Waveguide	WR284, R32
Waveguide Flange	CPR284G half-height, EIA RS-271-A
Temperature Range	-20°C to +100°C
Body Material	NBR-70
Dimensions	see drawing
Packing Unit	5 pieces



All dimensions without tolerance indication: ± 0.2mm

Rev.	Remark	Date	Name
00	Initial	28.04.2016	C. Weil
01	Packing unit	24.11.2016	C. Weil