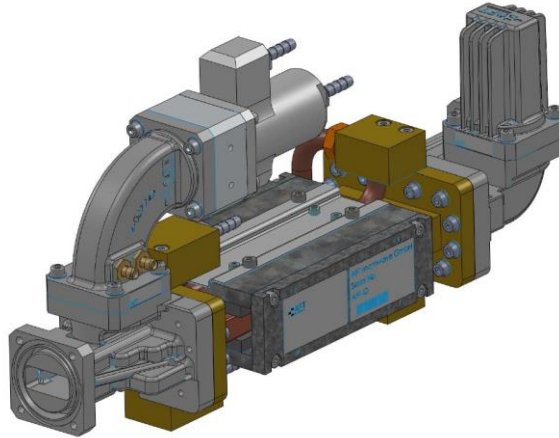


**From generic components to customized subsystems –
AFT provides key products for your X-Band LINAC system**



Catalog of Generic X-Band Products

Part No.	Product Type	Flange	Center Freq. [MHz]	Peak Power [MW]	Avg Power [kW]
4-Port Isolator					
I4-WR112-01-9300-1-Xw	4-Port Isolator	WR112 choke	9300	2	2
I4-WR112-01-9300-2-Xw	4-Port Isolator	WR112 choke	9300	2.5	2.5
RF Water Load					
LW-WR112-01-9300-Xw	Water Load	WR112 cover	9300	2.5	2.5
RF Dry Load					
LD-WR112-01-9300	Dry Load	WR112 cover	9300	0.025	0.025

For product details see data sheet of particular part no.

We offer customized products and assemblies upon your request