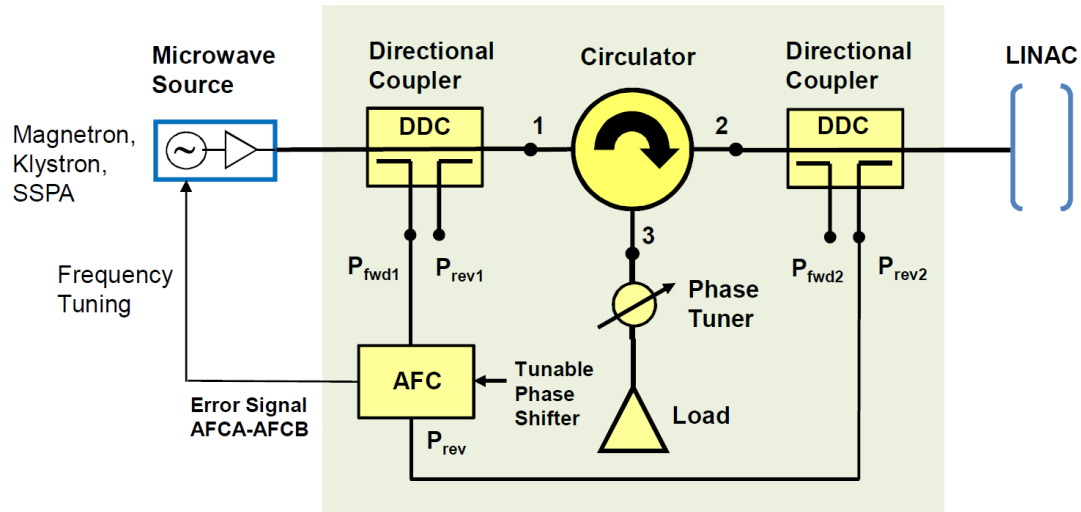


From generic components to customized subsystems – AFT provides key products for your S-Band LINAC system



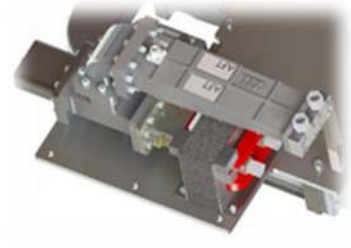
3-Port Circulators



RF Ferrite & Water Loads



Fast Ferrite Tuners



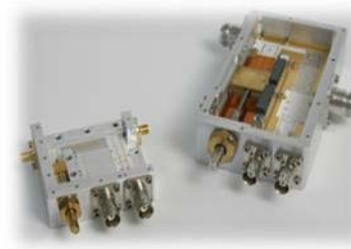
4-Port Circulators



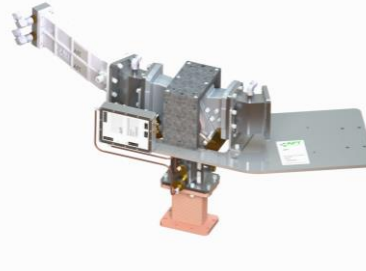
Dir. Couplers, E-Probes



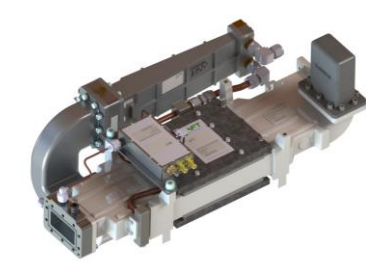
AFC Modules



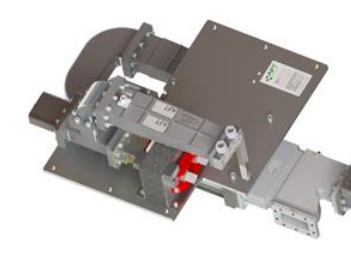
3-Port Isolator Assemblies



4-Port Isolator Assemblies



FFT Power Variators



Catalog of Generic S-Band Products

Part No.	Product Type	Waveguide Flange	Frequency [MHz]	Peak Power [MW]	Avg Power [kW]
----------	--------------	------------------	-----------------	-----------------	----------------

3-Port Circulators

C3-WR284-02-2998-Xw	3-Port Circulator	CPR284F	2998	3.5	4
---------------------	-------------------	---------	------	-----	---

4-Port Circulators

C4-WR284-10-2856-1-Xw	4-Port Circulator	CPR284F	2856	6	6
C4-WR284-10-2856-2-Xw	4-Port Circulator	CPR284F	2856	20	15
C4-WR284-02-2856-1-Xw	4-Port Circulator	CPR284F	2856	20	30
C4-WR284-02-2856-2-Xw	4-Port Circulator	CPR284F	2856	15	45
C4-WR284-10-2998-1-Xw	4-Port Circulator	CPR284F	2998	6	6
C4-WR284-10-2998-2-Xw	4-Port Circulator	CPR284F	2998	20	15
C4-WR284-02-2998-1-Xw	4-Port Circulator	CPR284F	2998	20	30
C4-WR284-02-2998-2-Xw	4-Port Circulator	CPR284F	2998	15	45
C4-WR284-04-2998-1-Xw	4-Port Circulator	CPR284F	2998	25	15
C4-WR284-04-2998-2-Xw	4-Port Circulator	CPR284F	2998	35	15
C4-WR284-05-2998-1-Xw	4-Port Circulator	CPR284F	2998	6	6
C4-WR284-05-2998-2-Xw	4-Port Circulator	CPR284F	2998	15	15

4-Port Isolators (compact with ferrite load)

I4-WR284-02-2998-1-Xw	4-Port Isolator	CPR284F	2998	6	6
I4-WR284-02-2998-2-Xw	4-Port Isolator	CPR284F	2998	15	6

RF Ferrite Loads

LF-WR284-01-2927-1-Xw	Ferrite Load	CPR284F	2856 & 2998	4	4
LF-WR284-01-2927-2-Xw	Ferrite Load	CPR284F	2856 & 2998	6	6
LF-WR284-01-2927-3-Xw	Ferrite Load	CPR284F	2856 & 2998	35	6
LF-WR284-02-2927-1-Xw	Ferrite Load	CPR284G	2856 & 2998	4	4
LF-WR284-02-2927-2-Xw	Ferrite Load	CPR284G	2856 & 2998	6	6
LF-WR284-02-2927-3-Xw	Ferrite Load	CPR284G	2856 & 2998	35	6

Part No.	Product Type	Waveguide Flange	Frequency [MHz]	Peak Power [MW]	Avg Power [kW]
----------	--------------	------------------	-----------------	-----------------	----------------

RF Water Loads

LW-WR284-01-2856-1-Xw	Water Load	CPR284F	2856	20	15
LW-WR284-01-2856-2-Xw	Water Load	CPR284F	2856	15	30
LW-WR284-01-2856-3-Xw	Water Load	CPR284F	2856	10	60
LW-WR284-02-2856-1-Xw	Water Load	CPR284G	2856	20	15
LW-WR284-02-2856-2-Xw	Water Load	CPR284G	2856	15	30
LW-WR284-02-2856-3-Xw	Water Load	CPR284G	2856	10	60
LW-WR284-01-2998-1-Xw	Water Load	CPR284F	2998	20	15
LW-WR284-01-2998-2-Xw	Water Load	CPR284F	2998	15	30
LW-WR284-01-2998-3-Xw	Water Load	CPR284F	2998	10	60
LW-WR284-02-2998-1-Xw	Water Load	CPR284G	2998	20	15
LW-WR284-02-2998-2-Xw	Water Load	CPR284G	2998	15	30
LW-WR284-02-2998-3-Xw	Water Load	CPR284G	2998	10	60

RF Dry Loads

LD-WR284-01-2856	Dry Load	CPR284F	2856	1	0.05
LD-WR284-02-2856	Dry Load	CPR284G	2856	1	0.05
LD-WR284-01-2998	Dry Load	CPR284F	2998	1	0.05
LD-WR284-02-2998	Dry Load	CPR284G	2998	1	0.05

E-Probes Flanges (2x non-directional coupling probe)

EP-WR284-01-50	E-Probe -50dB	CPR284F/G	2856 & 2998	20	15
EP-WR284-01-60	E-Probe -60dB	CPR284F/G	2856 & 2998	20	15
EP-WR284-02-50	E-Probe -50dB	CPR284F/F	2856 & 2998	20	15
EP-WR284-02-60	E-Probe -60dB	CPR284F/F	2856 & 2998	20	15
EP-WR284-03-50	E-Probe -50dB	CPR284G/G	2856 & 2998	20	15
EP-WR284-03-60	E-Probe -60dB	CPR284G/G	2856 & 2998	20	15
EP-WR284-04-50	E-Probe -50dB	CPR284F/G	2856 & 2998	20	15
EP-WR284-04-60	E-Probe -60dB	CPR284F/G	2856 & 2998	20	15
EP-WR284-10-60	E-Probe -60dB with gas inlet G1/8"	CPR284F/G	2856 & 2998	20	15

RF Directional Couplers

DC-WR284-01-Xf-Xc1-Xc2	Dual Dir. Cpl. (120mm)	CPR284F/G	2856 or 2998	20	15
DC-WR284-10-Xf-Xc1-Xc2	Dual Dir. Cpl. (51mm)	CPR284F/G	2856 or 2998	20	15

Part No.	Product Type	Waveguide Flange	Frequency [MHz]	Peak Power [MW]	Avg Power [kW]
----------	--------------	------------------	-----------------	-----------------	----------------

E-Bend Waveguides

EB-WR284-01	E-Bend 90°	CPR284F/G	2856 & 2998	20	15
EB-WR284-02	E-Bend 90°	CPR284F/F	2856 & 2998	20	15
EB-WR284-03	E-Bend 90°	CPR284G/G	2856 & 2998	20	15
EB-A-WR284-01	E-Bend 90° w. Arc	CPR284F/G	2856 & 2998	20	15
EB-A-WR284-02	E-Bend 90° w. Arc	CPR284F/F	2856 & 2998	20	15

H-Bend Waveguides

HB-WR284-01	H-Bend 90°	CPR284F/G	2856 & 2998	20	15
HB-WR284-02	H-Bend 90°	CPR284F/F	2856 & 2998	20	15
HB-WR284-03	H-Bend 90°	CPR284G/G	2856 & 2998	20	15
HB-A-WR284-01	H-Bend 90° w. Arc	CPR284F/G	2856 & 2998	20	15
HB-A-WR284-02	H-Bend 90° w. Arc	CPR284F/F	2856 & 2998	20	15

H-Bend Phase Wand

PW-CPR284-02	Phase Wand	CPR284F/G	2856 & 2998	6	6
--------------	------------	-----------	-------------	---	---

Waveguide Gaskets

ZG-CPR284-01	Set of Seals	CPR284	2856 & 2998	5 pieces	
ZG-MG284-01	Set of Metallic Gaskets	CPR284	2856 & 2998	5 pieces	
ZG-MG284-02	Set of Metallic Gaskets	CPR284	2856 & 2998	15 pieces	

Automatic Frequency Control (AFC) Modules

mAFC-2998-01	mAFC (mechanical)	N-type female	2998	-	-
eAFC-2998-03	eAFC (electronic)	SMA female	2998	-	-

For product details see data sheet of particular part no. on www.aft-microwave.com.

We offer customized products and assemblies upon your specific request.

Please contact us on sales@aft-microwave.com.