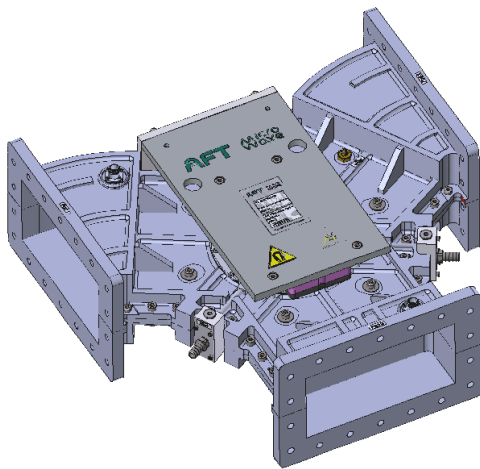


Reliable Circulators and Isolators for Industrial Microwave Systems

Circulators 915 MHz (L-Band)



- 3-port T-junction ferrite circulator
- High performance ferrites from in-house production
- Lowest insertion loss and high isolation
- Excellent power capability covering operation into 100% reflective load, any phase
- Robust and reliable design
- RoHS compliant
- Designed to protect and stabilize high-power generators for industrial microwave application.

Part No.	Product Type	Flange	Center Freq. [MHz]	Peak Power [kW]	Avg Power [kW]
C3-WR975-00-915-1	3-Port Circulator	CPR975F	915	5	5
C3-WR975-00-915-2	3-Port Circulator	CPR975F	915	30	30
C3-WR975-00-915-3	3-Port Circulator	CPR975F	915	75	75
C3-WR975-00-915-4	3-Port Circulator	CPR975F	915	100	100

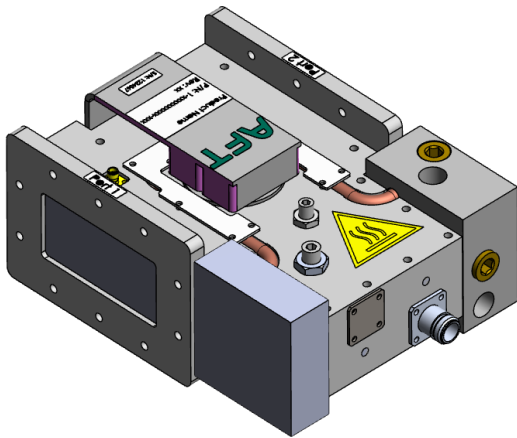
For product details see data sheet of particular part no.

Available on request:

- Center frequencies 896 MHz, 922 MHz.
- Water loads.
- Customized products and assemblies.

Reliable Circulators and Isolators for Industrial Microwave Systems

Isolators 2450 MHz (S-Band)



- Compact 3-port T-junction ferrite isolators including water load
- High-performance ferrites from in-house production
- Excellent power capability covering operation into 100% reflective load, any phase
- Low insertion loss and high isolation
- Robust and reliable design
- RoHS compliant

Part No.	Product Type	Flange	Center Freq. [MHz]	Peak Power [kW]	Avg Power [kW]
I3-WR340-02-2450-1	3-Port Isolator	CPR340F	2450	1	1
I3-WR340-02-2450-2	3-Port Isolator	CPR340F	2450	2	2
I3-WR340-02-2450-3	3-Port Isolator	CPR340F	2450	3	3
I3-WR340-03-2450-6	3-Port Isolator	CPR340F	2450	6	6
I3-WR340-03-2450-10	3-Port Isolator	CPR340F	2450	10	10

For product details see data sheet of particular part no.

Customized products and assemblies are available on your request.