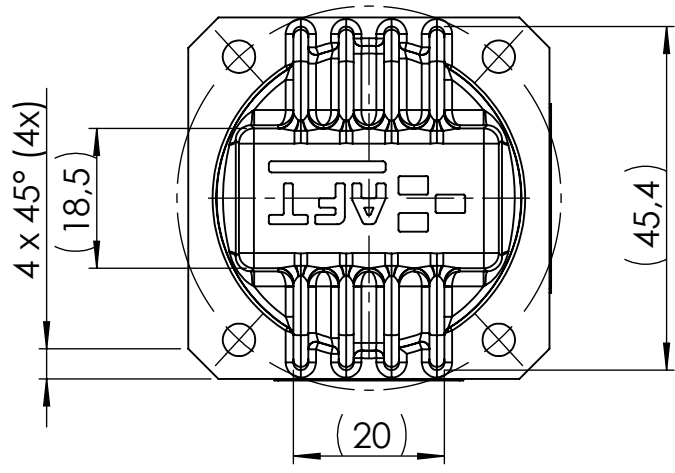
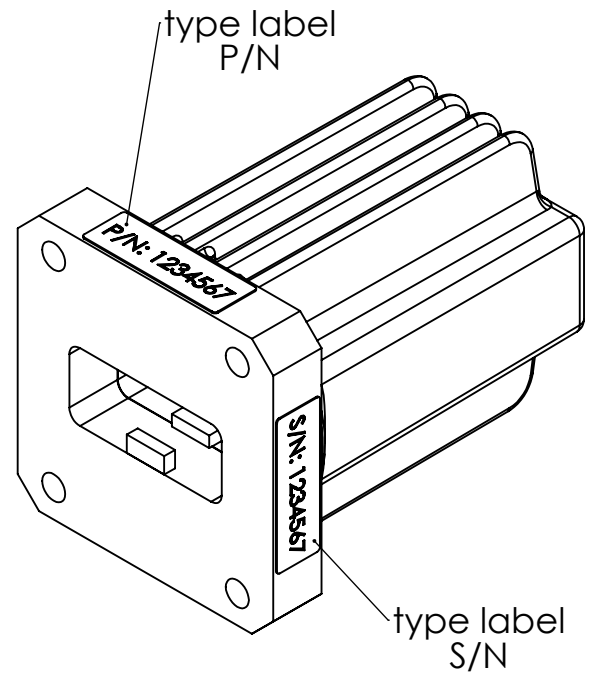
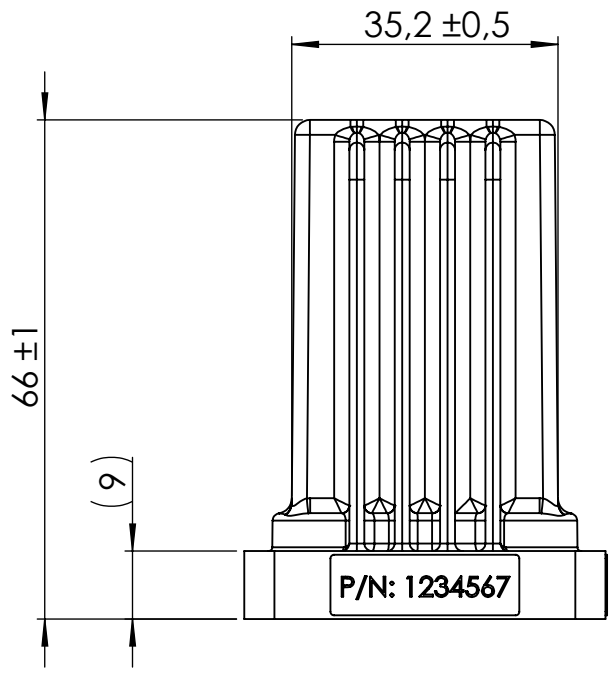
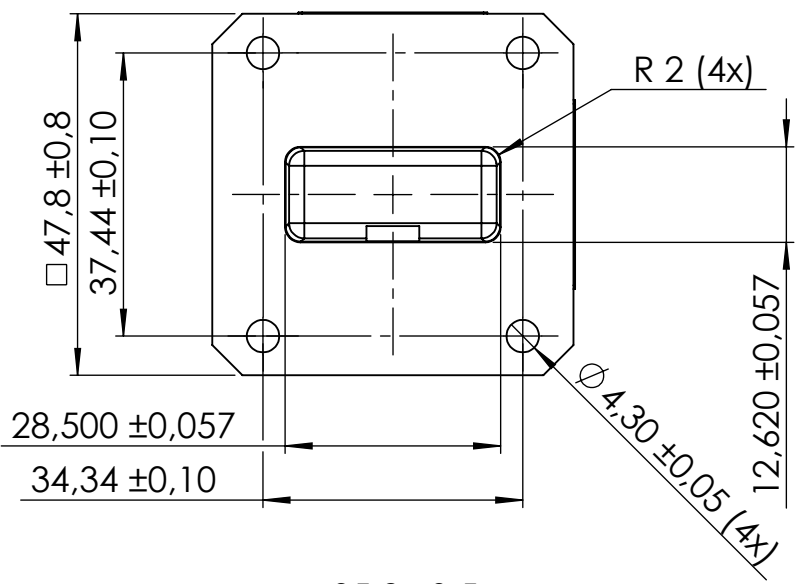


Urheberrechtlich geschützt am: Mittwoch, 12. Oktober 2022 13:38:31
 Offenders are liable of the payment of damages. All rights are reserved in the event of the grant of a patent or the registration of a utility model or design.
 Copying this document and giving it to others and the use or communication of the contents thereof, are forbidden without express authority.

Zuletzt gespeichert am: Mittwoch, 12. Oktober 2022 13:38:31
 Zuletzt gespeichert von: Eomari
 Zeichnungs-Druckstatus: 00003 - Freigegeben



				Tolerance DIN ISO 8015 Generally tolerance ISO 2768 - cL Edges of undefined shape ISO 13715 Surface DIN EN ISO 1302		First angle projection		Finish		Weight [kg +/-10%] 0.158		
				Date	Name	Description						
				Drawn	12.10.2022	BRP	Dry Load 9300MHz WR112					
				Checked								
						Drawing number		Rev				
						3-122996-FP		A.0				
Rev	Modification	Date	Name	Part no.	3-122996	Sheet	1 of 1	Scale	M 1:1	Paper size	A4	