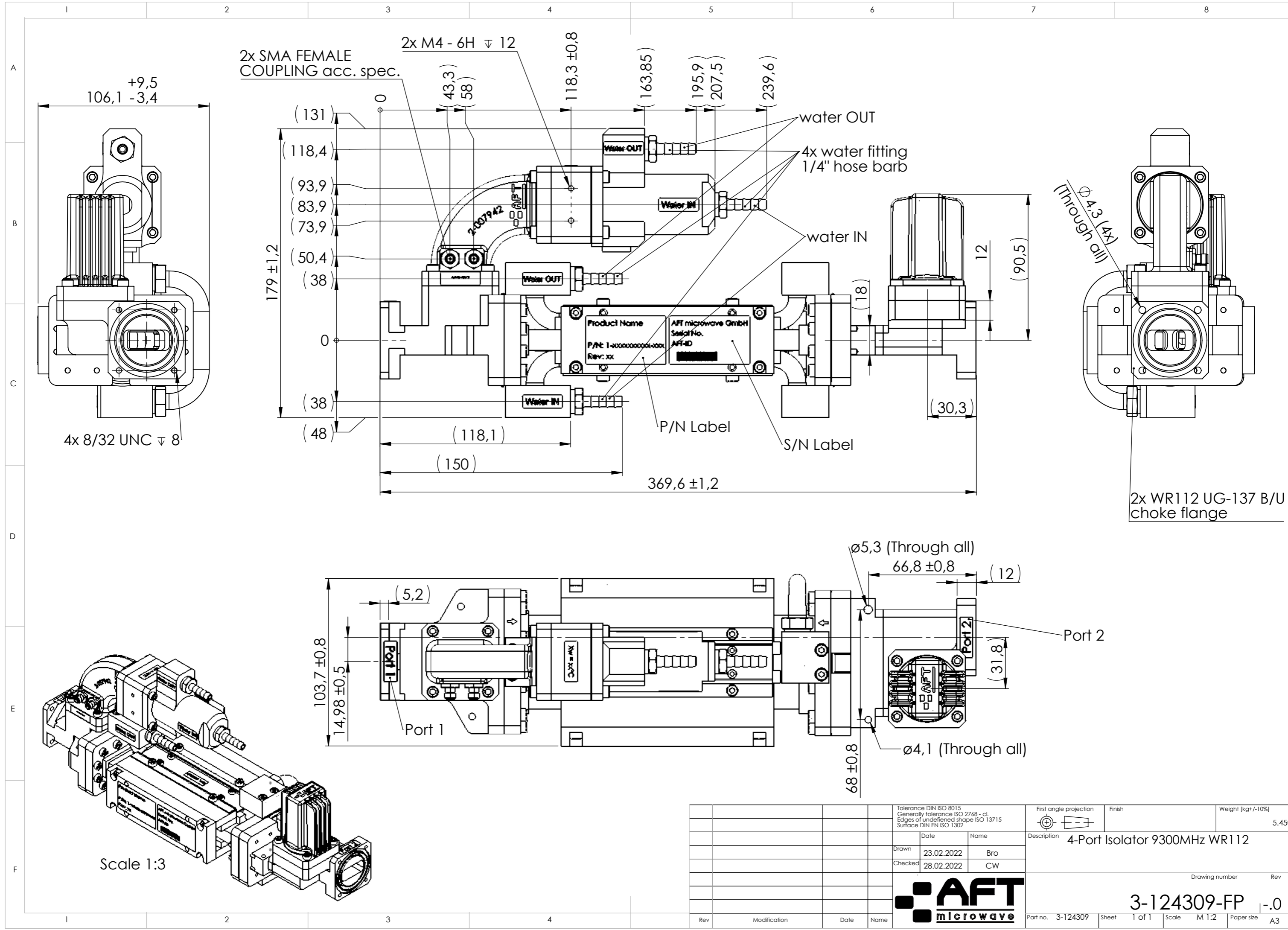


Urheberrechtsschutzvermerk DIN 34
 Offenders are liable of the payment of damages. All rights are reserved in the event of the grant of a patent or the registration of a utility model or design.
 Copying this document and giving it to others and the use or communication of the contents here of, are forbidden without express authority.

Zuletzt gespeichert am: Donnerstag, 21. April 2022 15:23:24
 Zuletzt gespeichert von: a-proccadALogin
 Zeichnungs Druckstatus:



Tolerance DIN ISO 8015 Generally tolerance ISO 2768 - ct Edges of unprofiled shape ISO 13715 Surface DIN EN ISO 1302		First angle projection	Finish	Weight [kg+/-10%] 5.450
Date	Name	Description 4-Port Isolator 9300MHz WR112		
Drawn 23.02.2022	Bro	Drawing number Rev		
Checked 28.02.2022	CW	3-124309-FP -0		
Rev	Modification	Date	Name	Part no. 3-124309 Sheet 1 of 1 Scale M 1:2 Paper size A3



Scale 1:3