

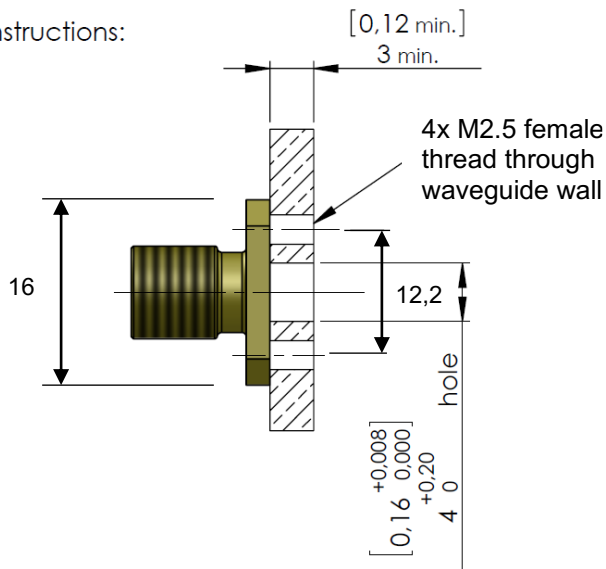
- Set of two optical arc viewport connectors.
- FSMA interface for fiber optic cable.
- Easy mounting to a waveguide wall with mounting flange and 2 screws

Parameter	Value
Footprint Drawing No.	t.b.d.
Product Type	Arc Viewport
Configuration	Flange 16 x 5,7mm ²
Fiber Optical Connection Thread	FSMA 1/4-36 UNS-2A, male thread
Mounting Thread	2x through holes \varnothing 2.6mm, see assembly instructions below
Temperature Range	-20°C to +80°C
Accessories	2x metallic protection cap

Ordering Code

P/N	Description	Quantity included
AVPN-03	Arc Viewport FSMA Flanged (2-hole)	2 pieces

Assembly Instructions:



Rev.	Remark	Date	Name
00	Initial	11.11.2020	C. Weil
	Formal update	07.03.2022	C. Weil